

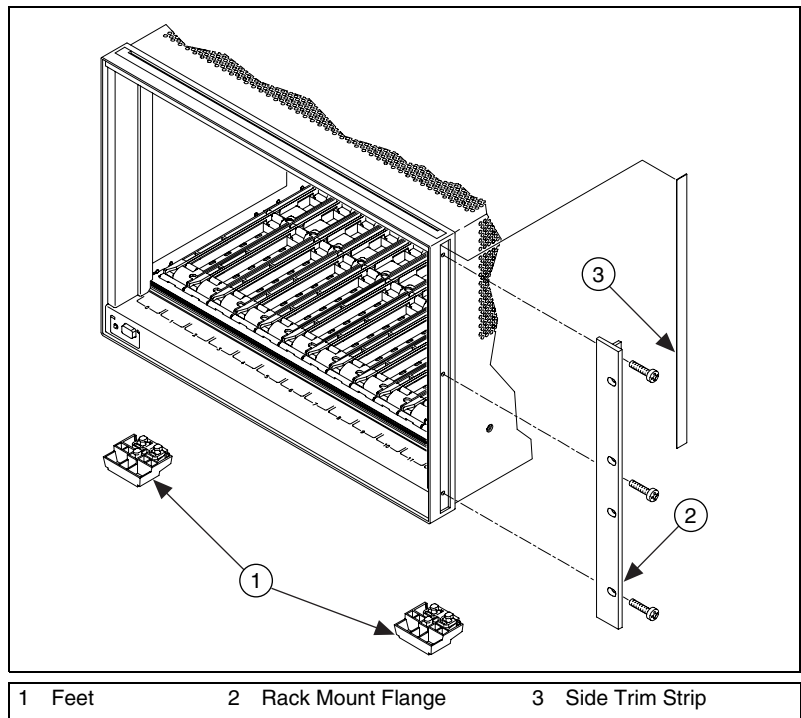
VXI-1501 BASIC RACK MOUNT KIT

This kit includes support rails and flanges for mounting the mainframe in a standard 19 in. rack.

Installing the Rack Mount Flanges



Caution Do *not* rack mount the mainframe using only the flanges. The mainframe should be supported by either an optional slide kit (offered by National instruments as the Advanced Rack Mount Kit), this rail kit, or a cabinet shelf.

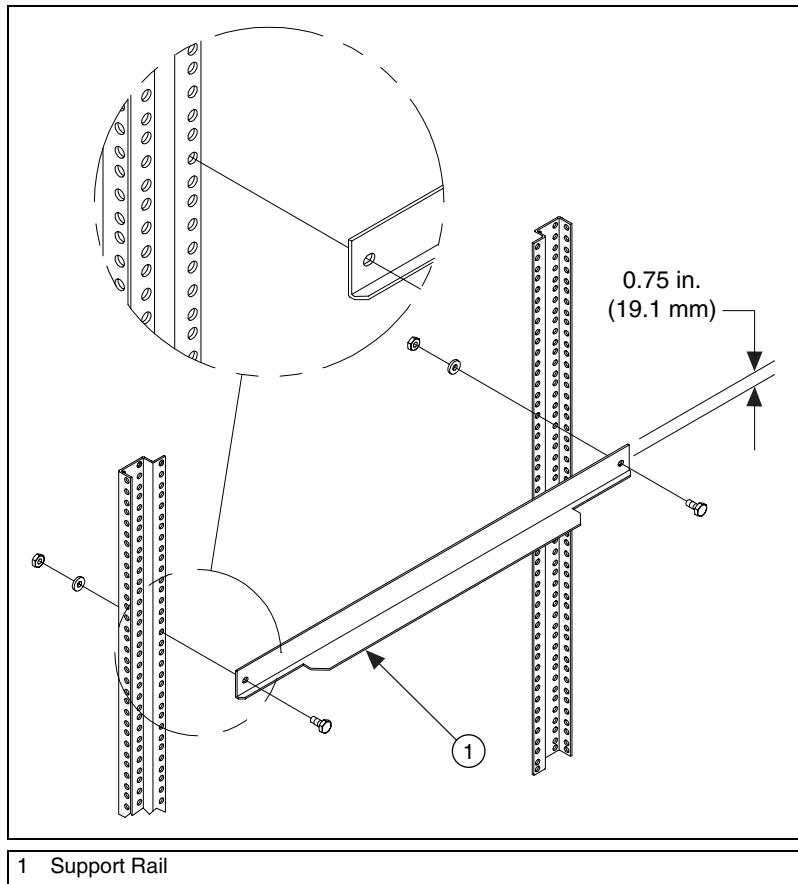


Follow these steps to install the rack mount flanges:

1. Remove the side trim strips from the VXI-1501.
2. Attach the rack mount flanges with three screws per side (included with the kit).
3. Remove the front and rear feet.

4. Install the left and right support rail mounts to the front and back vertical cabinet rails as shown below using the supplied hardware. Refer to the exploded view of the rail, which shows the proper hole to install the support rail. Be sure to use the proper hole, so that the flange holes align with the holes in the front vertical cabinet rails. Be sure that both support rail mounts are at the same level. Some VXI cabinets may require the rear vertical cabinet rails to be adjusted or the addition of vertical rails to line up with the holes in the left and right support rail mounts.

You may need to drill an additional hole in each support rail so that you can attach it to the rear vertical cabinet rails. To do this, attach the front of each support rail to the front cabinet rail and mark the hole location on the rear of the support rail where it will attach to the rear cabinet rail. Drill a 0.3125 in. (80 mm) hole in the center of the support rail. The center point is 0.75 in. (19 mm) from either edge (see the diagram). Be sure to drill in the center point, to assure that the rack support rails are level after installation.



5. Place the VXI-1501 into the cabinet, making sure that both left and right rail supports are adequately supporting the frame. Secure the flange to the cabinet rails using the supplied hardware. Once the VXI-1501 is secured, you may install the 1U filler panel above it as shown below. This panel allows adequate air ventilation for the vent holes on top of the chassis, should another piece of equipment be installed above it.

